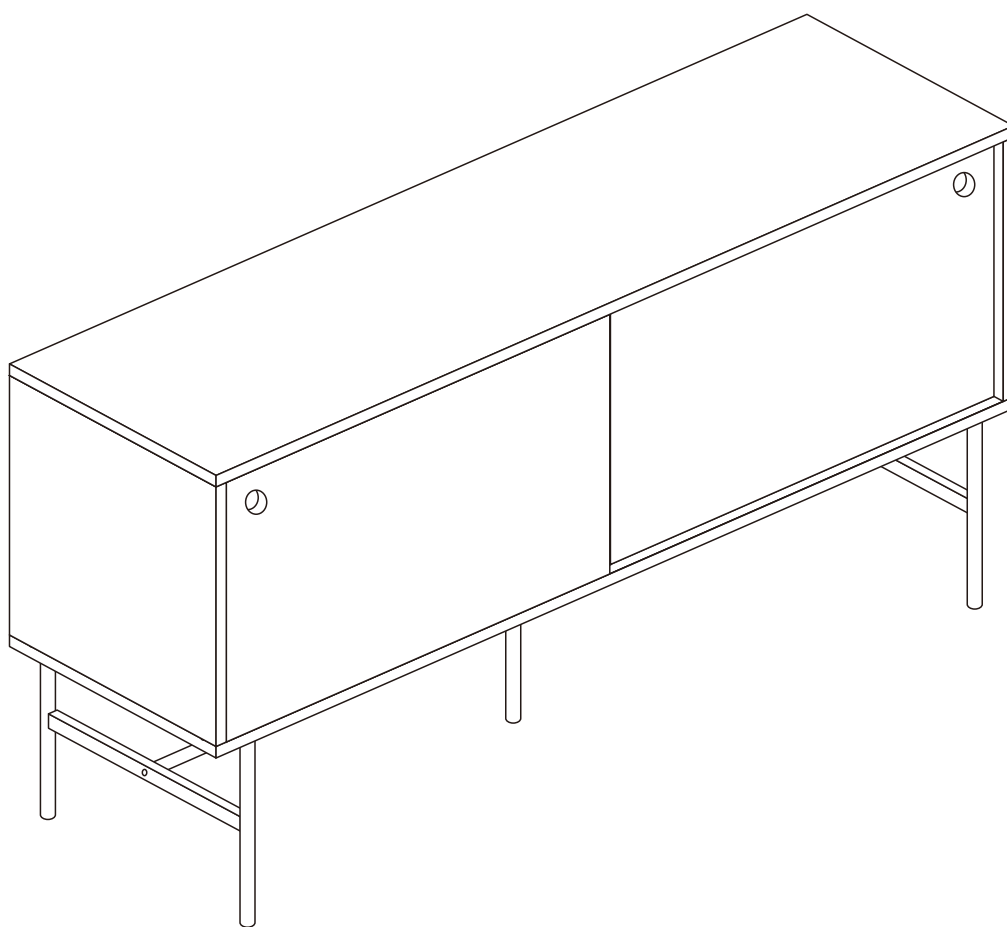





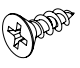
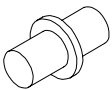






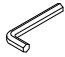



Cabinet

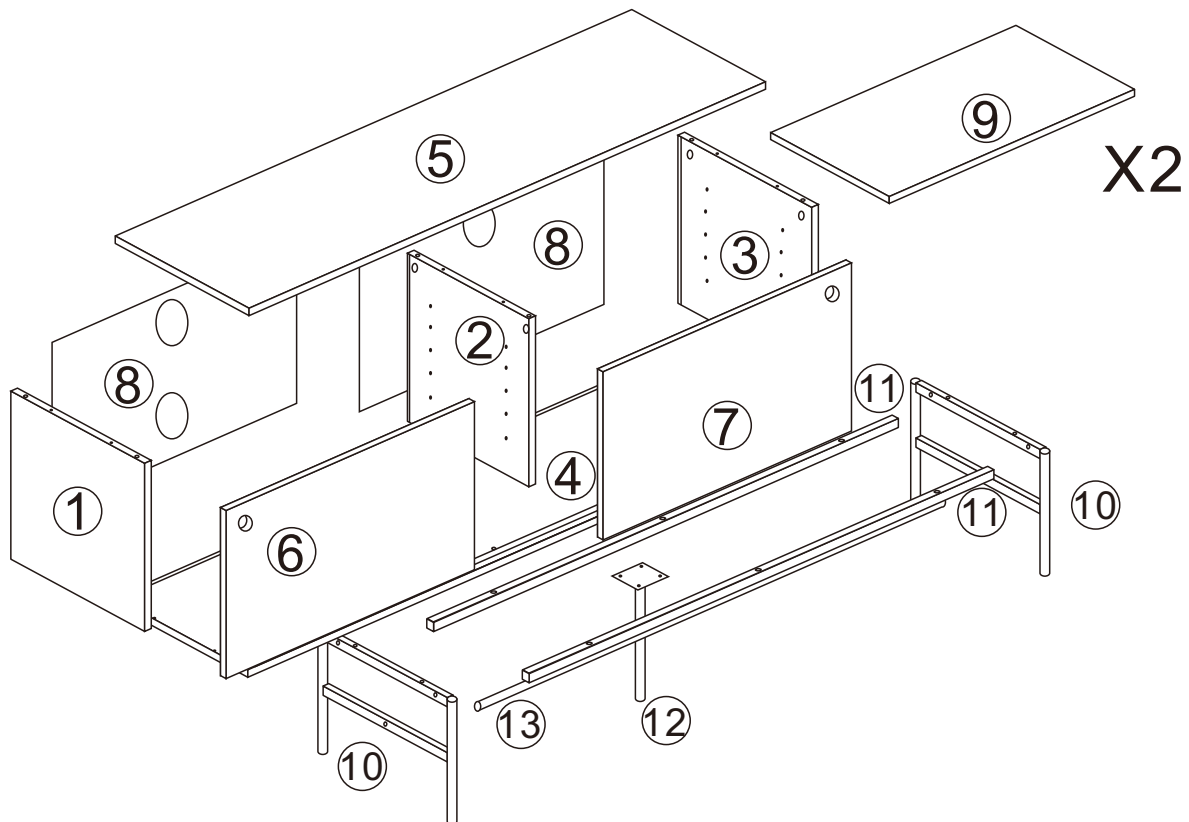


ASSEMBLY INSTRUCTION

HARDWARE LIST

A 6 PCS		B 6 PCS		C 12 PCS		D 6 PCS		E 8 PCS	
F 8 PCS		G 4 PCS		H 4 PCS		I 8 PCS		J 6 PCS	
K 10 PCS		L 4 PCS		M 8 PCS		N 1 PC		O 2 PCS	

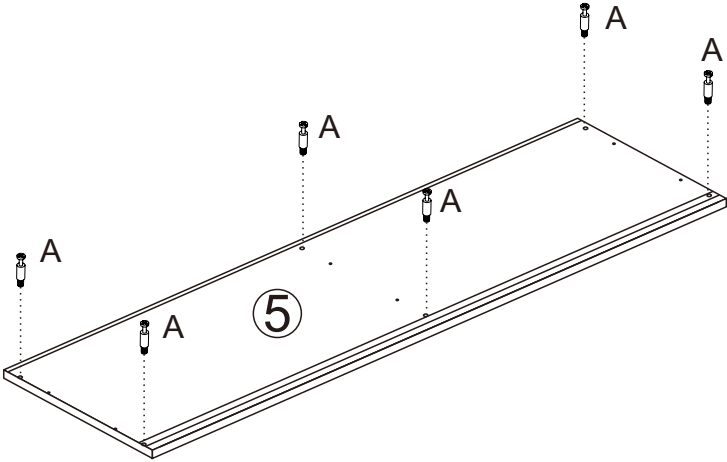
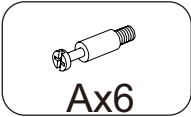
PARTS LIST



ASSEMBLY STEPS

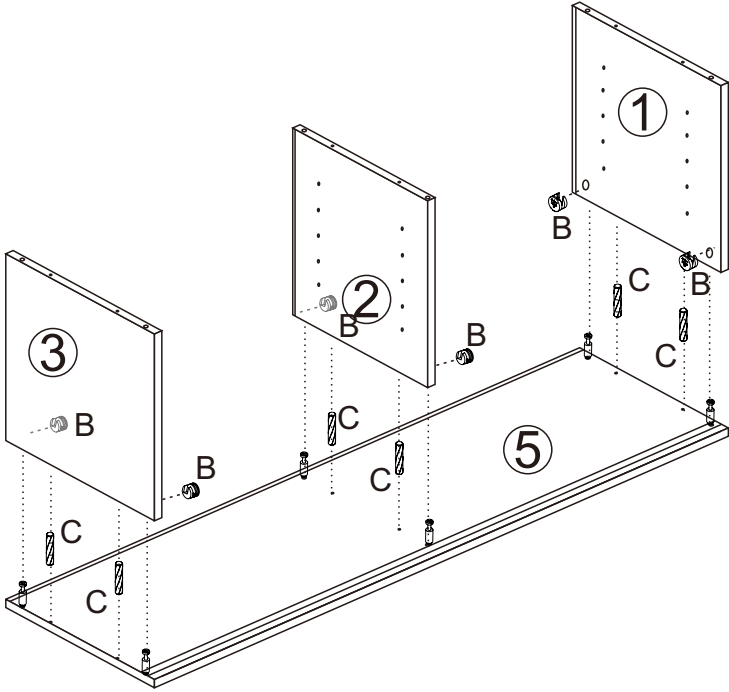
STEP 1.

Insert quickfit screws (A) into part 5, as shown.



STEP 2.

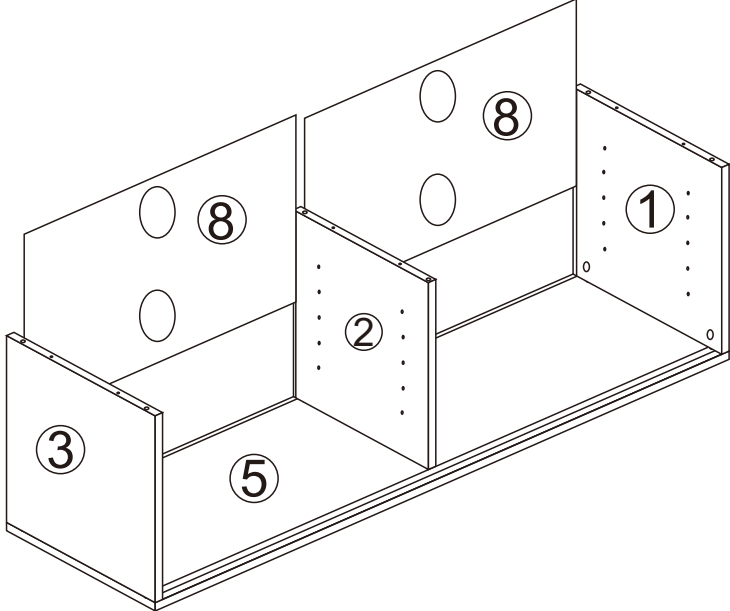
Insert wooden dowels (C) into part 5, as shown.
Insert cam locks (B) into parts 1, 2 and 3, as shown.
Fit parts 1, 2 and 3 to part 5, as shown.
Turn cam locks clockwise to tighten.



ASSEMBLY STEPS

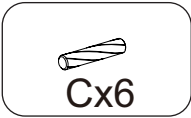
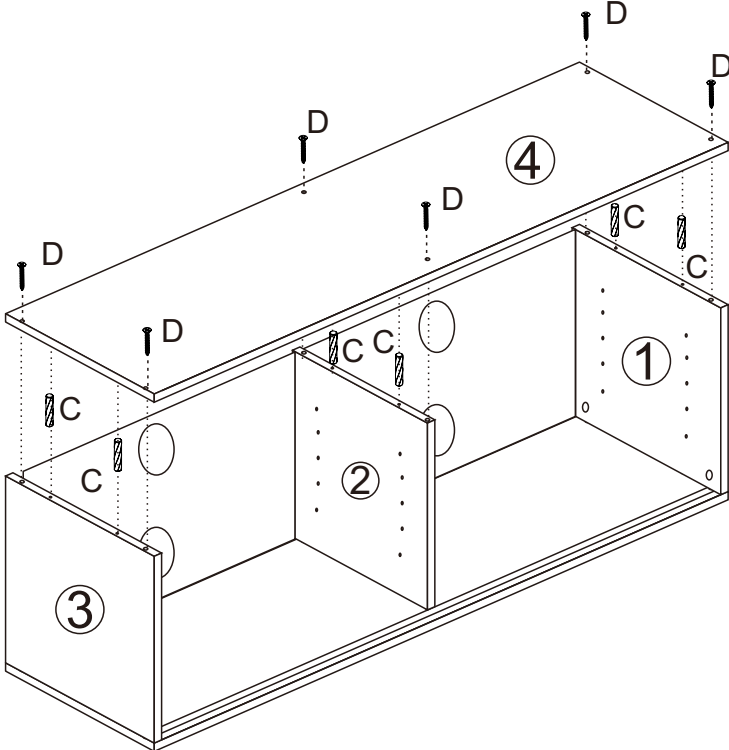
STEP 3.

Slide parts 8 into grooves between parts 1, 2 and 3, as shown.



STEP 4.

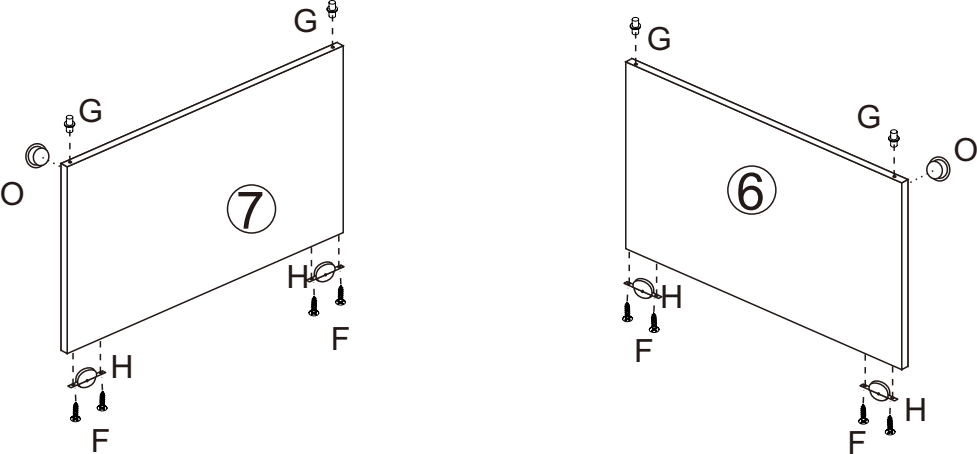
Attach part 4 to parts 1, 2 and 3 with wooden dowels (C) and screws (D), as shown.



ASSEMBLY STEPS

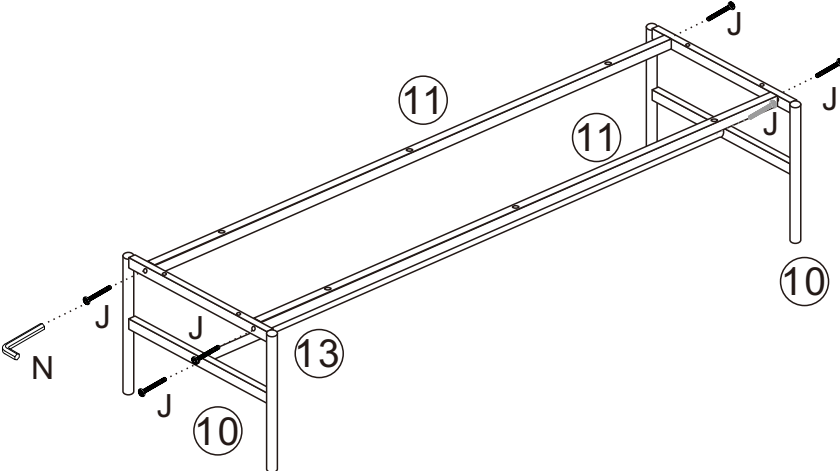
STEP 5.

Insert handles (O) and bearings (G) into doors 6 and 7, as shown.
Fix wheels (H) to doors 6 and 7 using screws (F), as shown.



STEP 6.

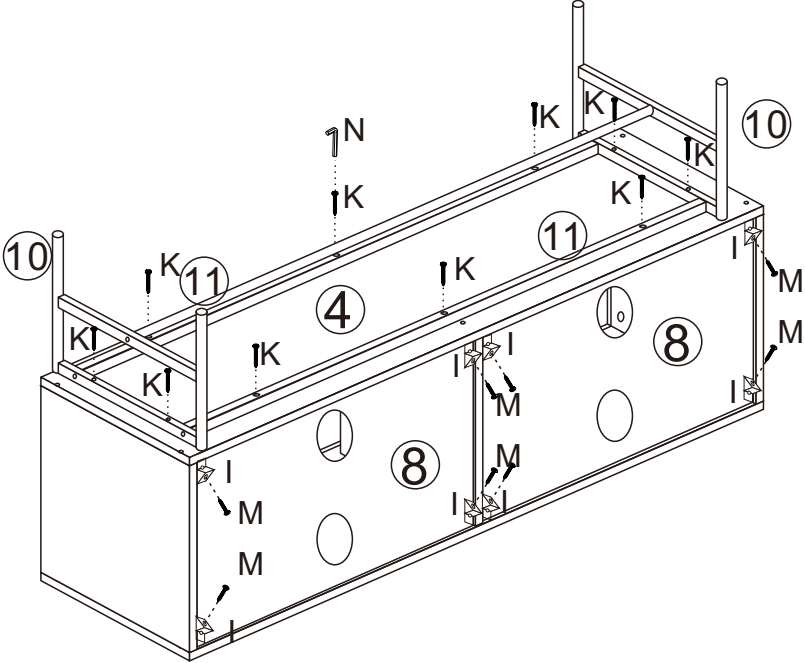
Fix parts 11 and 13 to parts 10 using screws (J) and allen key (N), as shown.



ASSEMBLY STEPS

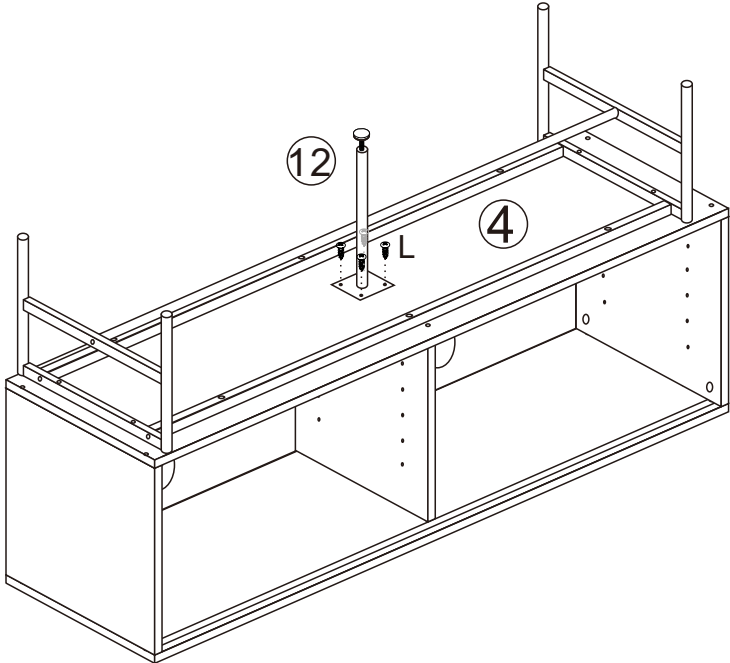
STEP 7.

Fix assembled legs to part 4 using screws (K) and allen key, as shown.
Fix corner brackets (I) to parts 8 using screws (M), as shown.



STEP 8.

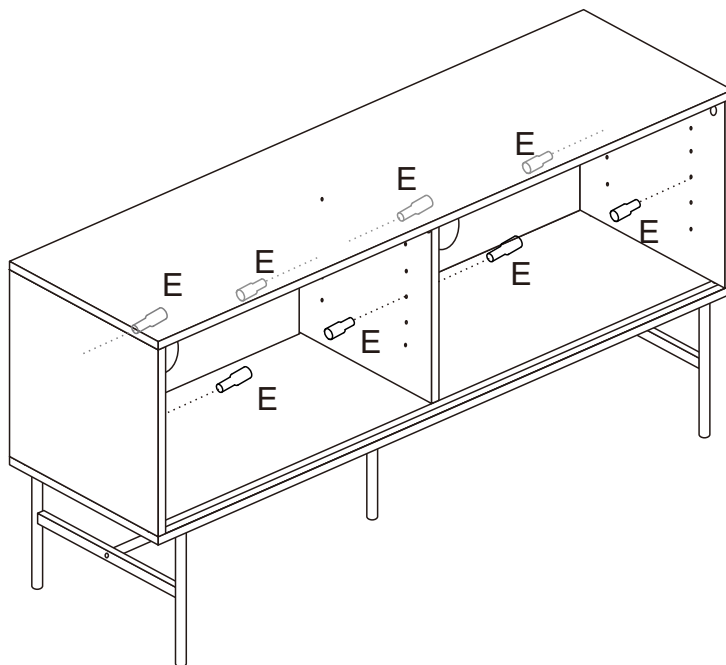
Fix leg 12 to part 4 using screws (L), as shown.



ASSEMBLY STEPS

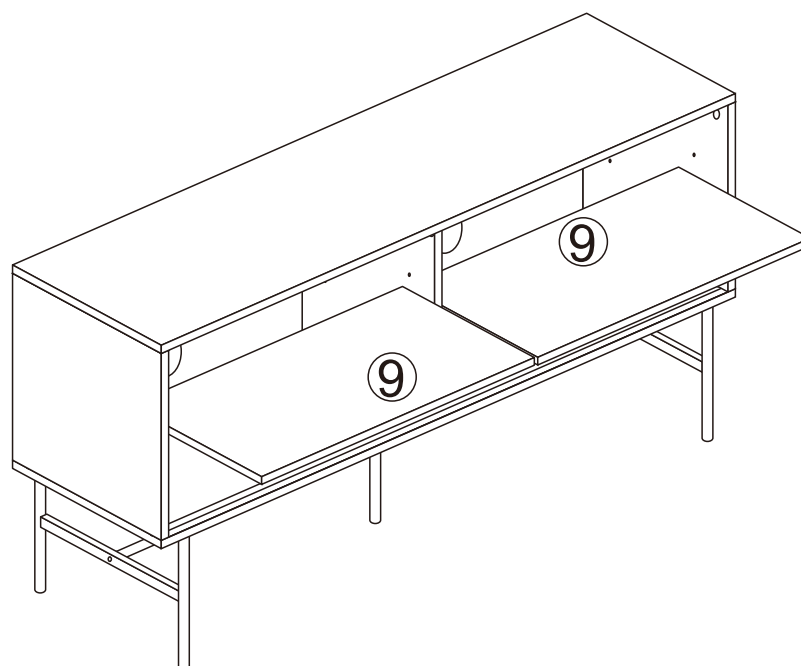
STEP 9.

Fit shelf supports (E) into desired position in the assembled unit, as shown.



STEP 10.

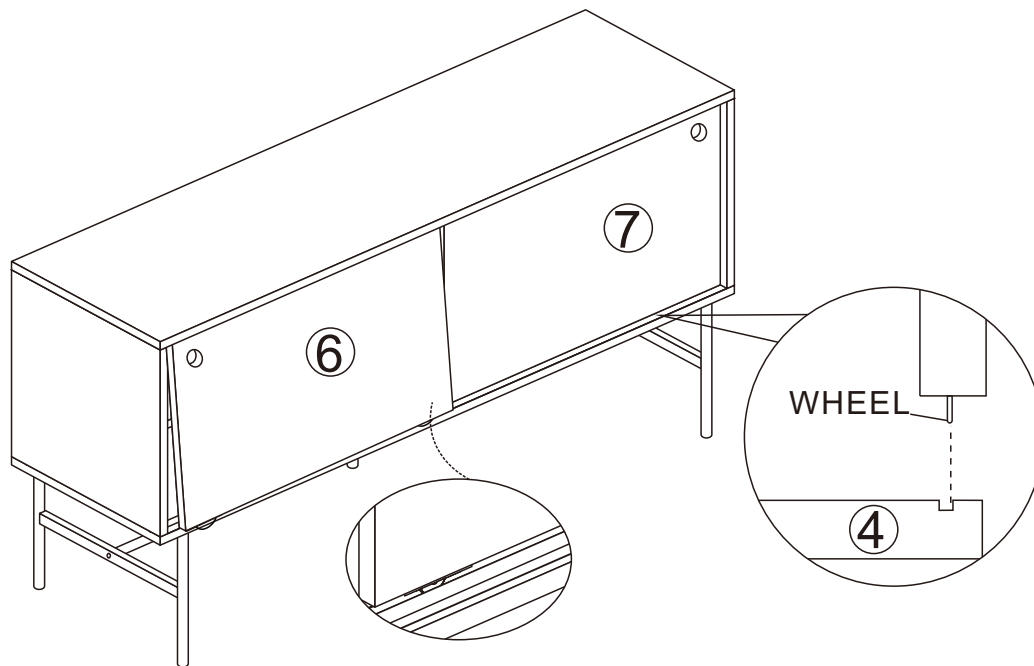
Place shelf 9 on top of shelf supports, as shown.



ASSEMBLY STEPS

STEP 11.

Fit doors 6 and 7 into assembled unit, as shown.



STEP 12.

Your cabinet is ready for use.

